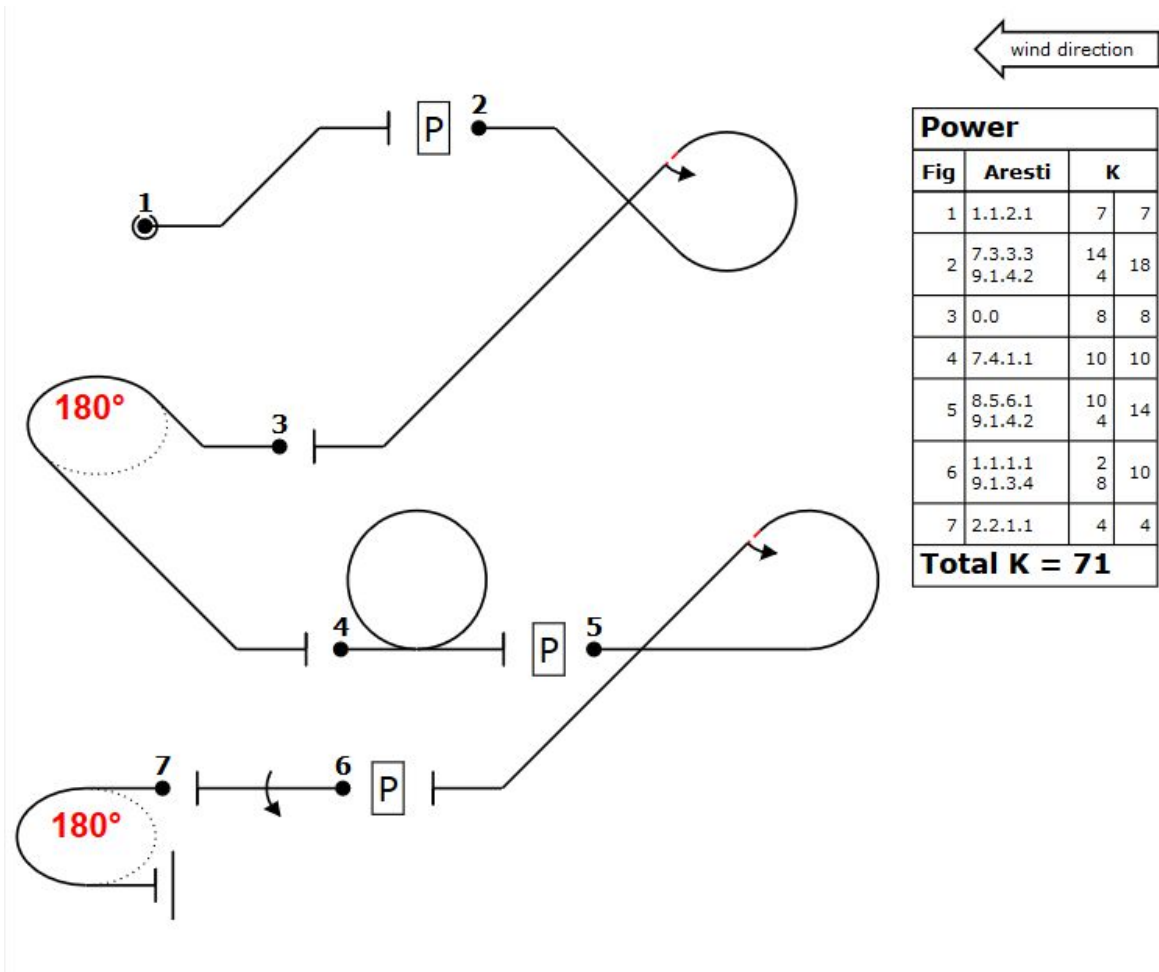




2020 Nordic Primary Sequence Power



Power			
Fig	Aresti	K	
1	1.1.2.1	7	7
2	7.3.3.3	14	18
	9.1.4.2	4	
3	0.0	8	8
4	7.4.1.1	10	10
5	8.5.6.1	10	14
	9.1.4.2	4	
6	1.1.1.1	2	10
	9.1.3.4	8	
7	2.2.1.1	4	4
Total K = 71			

2020 Nordic Primary Sequence in openaero.net format

Copy this string to openaero.net:

d (-2,0) "P" ig``````2..... (2,0) .jw...+`` (-2,0) ``+o+`` (-2,0) "P" c``2... "P" 1 2j