



Malmi 4.7.2019

Form A

Pilot ID

Flight #

IAC Glider INT Free

No	Symbol	Cat. No.	K	Total K	Grade	Pos	Remarks	Item	K	Grade
1		1.1.2.1	7	7				Pos.		
				SF 7	.					
2		1.1.6.3 9.11.1.4	10 5	15				Fig K	Total K	
				SF 3	.			137	137	
3		5.2.1.1 9.1.5.1	17 3	20				Penalties		
				SF 5	.			Too Low		
								Too High		
								Interruptions		
								Insertions		
								Trg Violation		
								Wing Rocks		
								Disqual Fig		
								Other(note...)		
4		0.1	16	16				Final Freestyle		
				SF 7	.			Duration	Min	Sec
5		6.2.2.1	17	17				Judges Details		
				SF 6	.			Signature		
6		2.2.1.1	4	4				Name		
				SF 2	.			Number		
7		8.4.1.1	13	13						
				SF 7	.					
8		8.5.2.1 9.1.2.2	10 9	19						
				SF 7	.					
9		1.1.1.1 9.2.3.4	2 14	16						
				SF 7	.					
10		7.4.1.1	10	10						
				SF 7	.					

Ylinen Pilot
Acro OH-1013 A/C



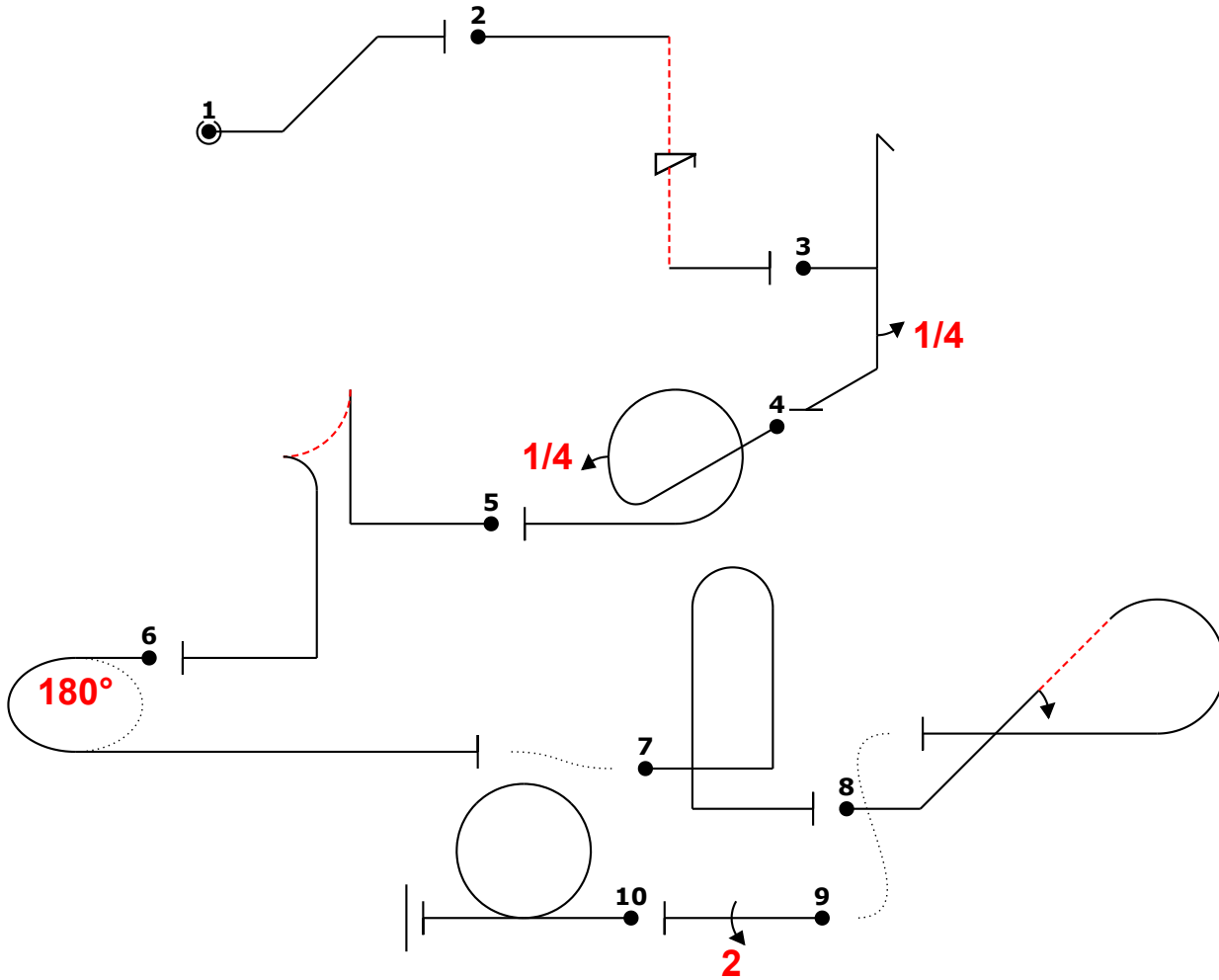
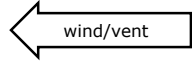
Malmi 4.7.2019

Form B

Pilot ID

IAC Glider INT Free

Flight #



Glider			
Fig	Aresti	K	
1	1.1.2.1	7	7
2	1.1.6.3	10	15
	9.11.1.4	5	
3	5.2.1.1	17	20
	9.1.5.1	3	
4	0.1	16	16
5	6.2.2.1	17	17
6	2.2.1.1	4	4
7	8.4.1.1	13	13
8	8.5.2.1	10	19
	9.1.2.2	9	
9	1.1.1.1	2	16
	9.2.3.4	14	
10	7.4.1.1	10	10
Total K = 137			

Ylinen Pilot
Acro OH-1013 A/C



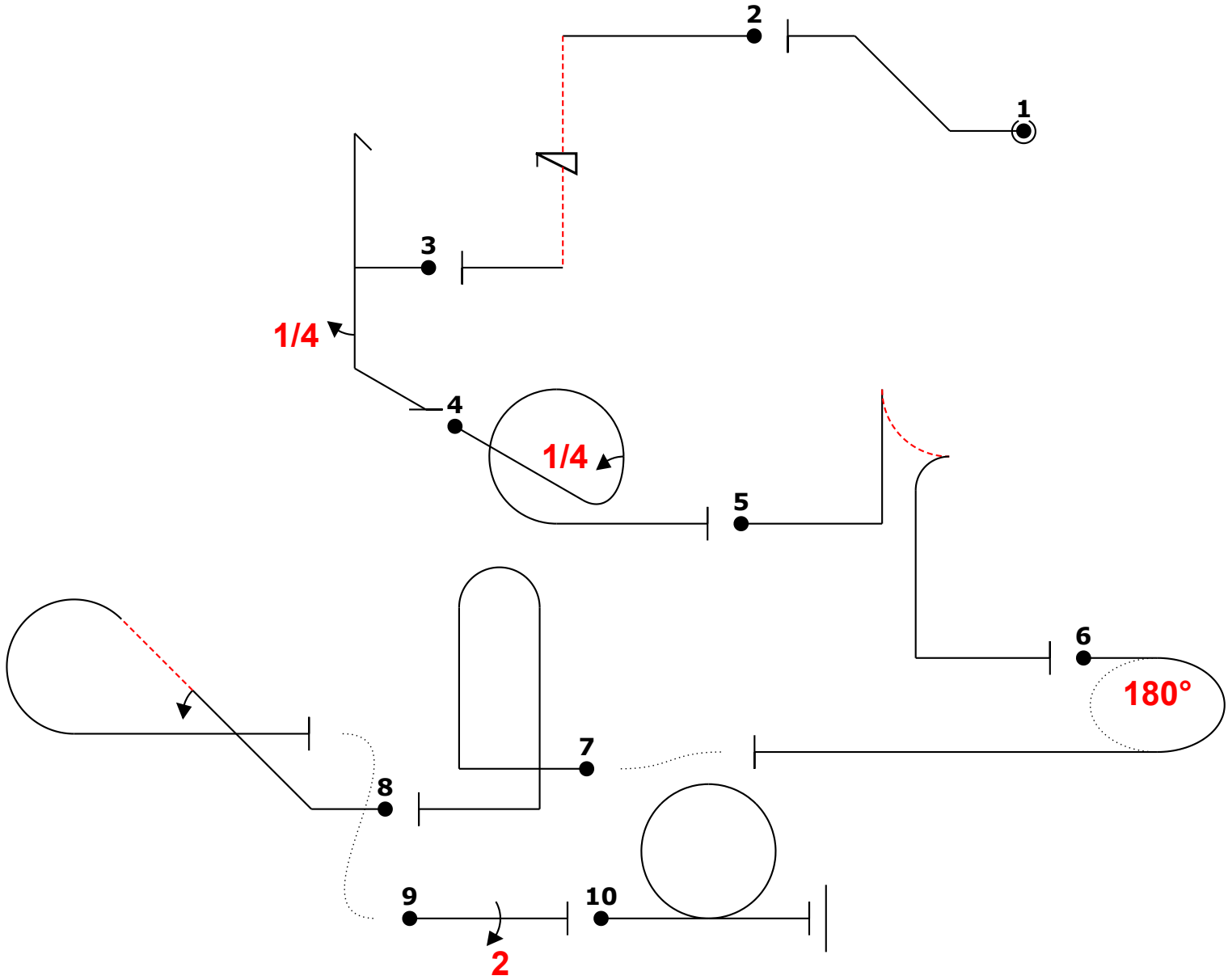
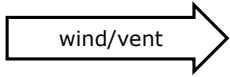
Malmi 4.7.2019

Form C

Pilot ID

IAC Glider INT Free

Flight #



Ylinen Pilot
Acro OH-1013
A/C