



Pilot ID

Glider

Flight #

No	Symbol	Cat. No.	K	Total K	Grade	Pos	Remarks	Item	K	Grade
1		7.3.3.3 9.1.4.2	14 6	20	.			Pos.	15	
2		8.4.1.1	13	13	.			Fig K	140	Total K 155
3		7.3.2.1 9.1.2.2	14 9	23	.			Penalties Too Low Too High Interruptions Insertions Trg Violation Wing Rocks Disqual Fig Other(note...)		
4		1.1.6.3 9.11.1.4	10 5	15	.			Final Freestyle Duration Min Sec		
5		5.2.1.1 9.1.5.1	17 3	20	.			Judges Details Signature Name Number		
6		0.1	16	16	.					
7		1.1.1.1 9.1.3.4	2 12	14	.					
8		0.2	13	13	.					
9		2.4.1.1	6	6	.					

Mika Laajalahti Pilot
PIK 20 D OH-510X A/C



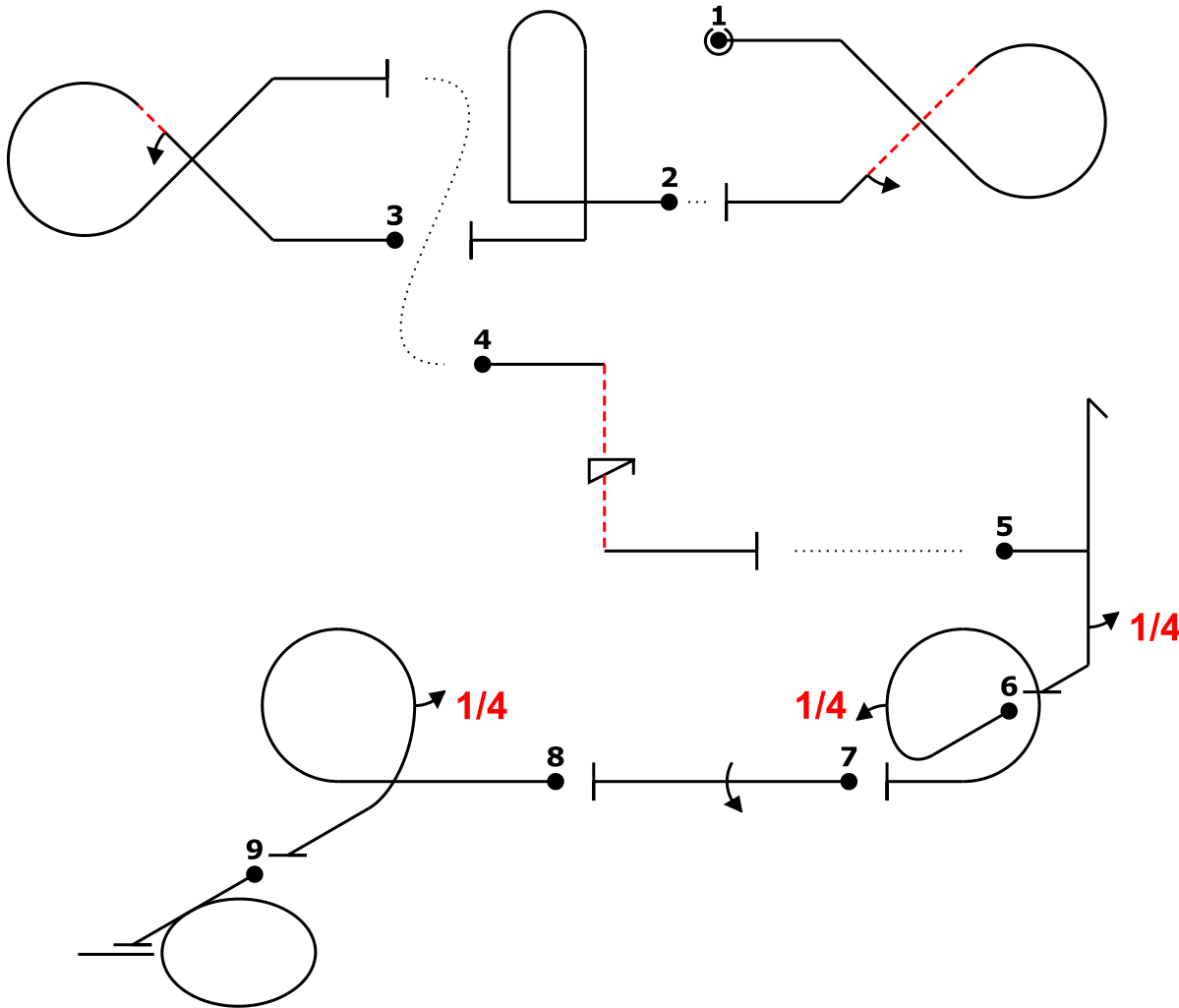
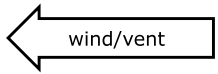
EFHF 2019

Form B

Pilot ID

Glider

Flight #



Glider

Fig	Aresti	K	
1	7.3.3.3 9.1.4.2	14 6	20
2	8.4.1.1	13	13
3	7.3.2.1 9.1.2.2	14 9	23
4	1.1.6.3 9.11.1.4	10 5	15
5	5.2.1.1 9.1.5.1	17 3	20
6	0.1	16	16
7	1.1.1.1 9.1.3.4	2 12	14
8	0.2	13	13
9	2.4.1.1	6	6
Total K = 140			

Mika Laajalahti Pilot
PIK 20 D OH-510X A/C



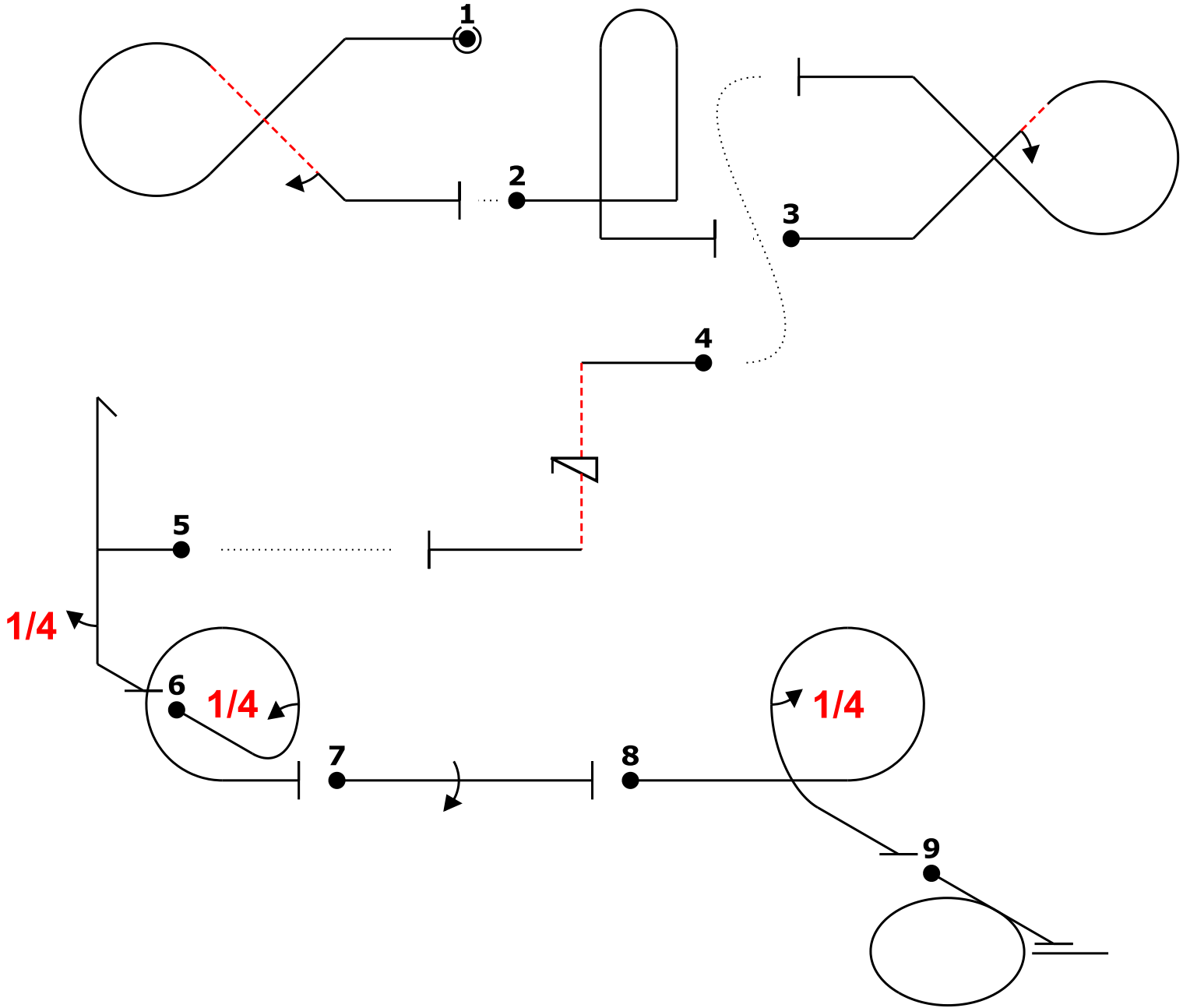
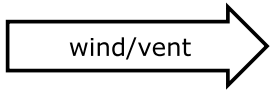
EFHF 2019

Form C

Pilot ID

Glider

Flight #



~ig2~ [1,0] ~b [0,0] ~2g~ (1,15) ~iv's+~ (9,0) h4 oj ~1+ ~+ioj+ ~4j~

Mika Laajalahti Pilot
PIK 20 D OH-510X A/C

